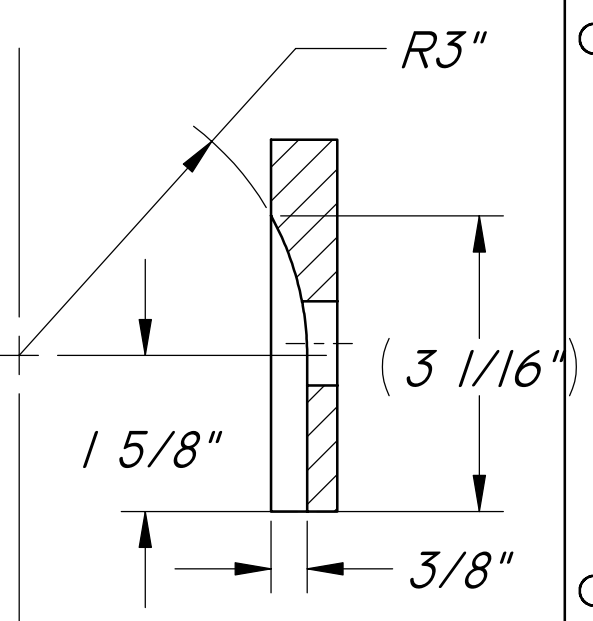
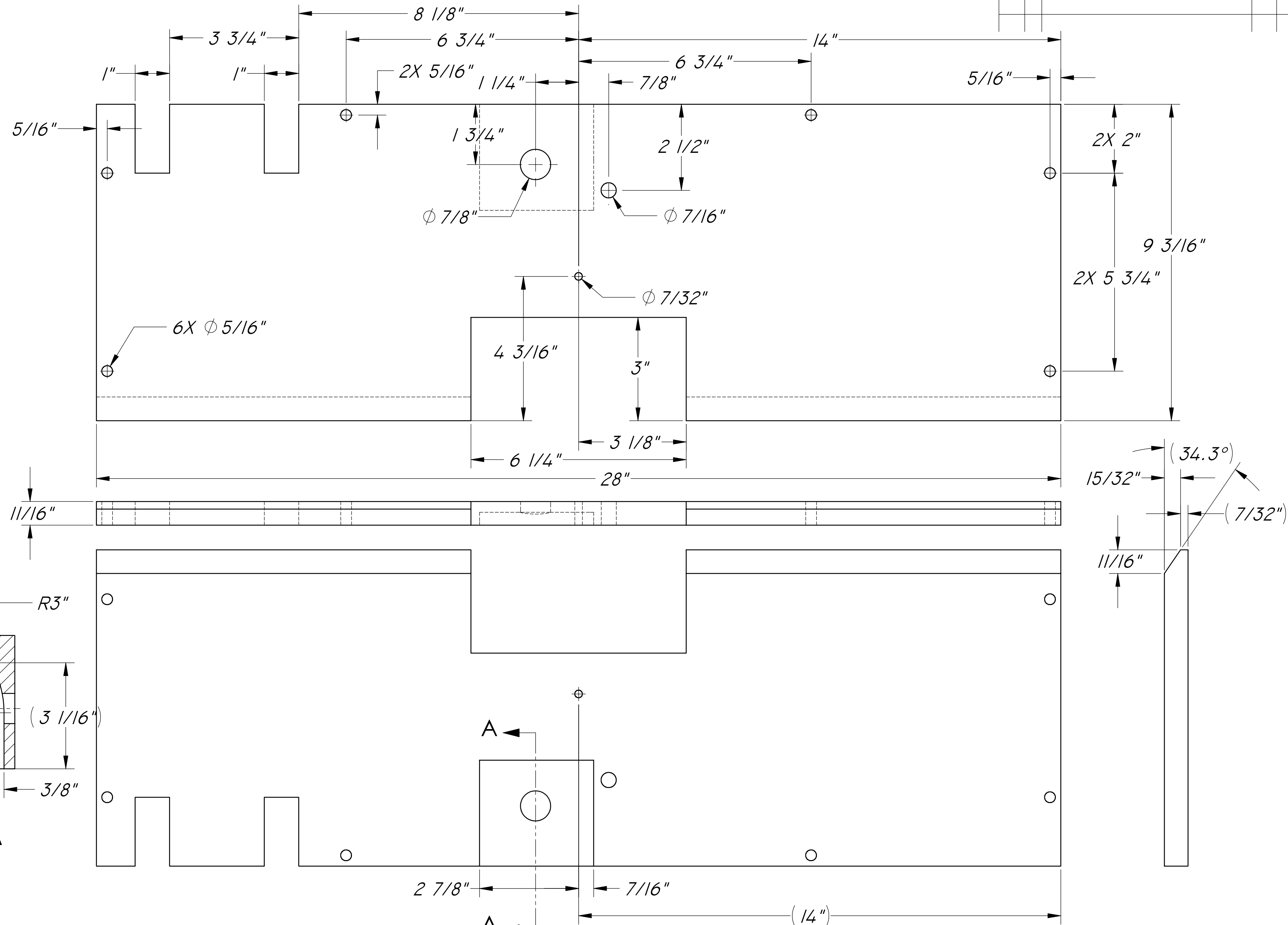


REVISIONS				
ZONE	REV.	DESCRIPTION	DATE	APPROVED



PROPRIETARY AND CONFIDENTIAL  
 THE INFORMATION CONTAINED IN THIS  
 DRAWING IS THE SOLE PROPERTY OF  
 <INSERT COMPANY NAME HERE>. ANY  
 REPRODUCTION IN PART OR AS A WHOLE  
 WITHOUT THE WRITTEN PERMISSION OF  
 <INSERT COMPANY NAME HERE> IS  
 PROHIBITED.

		UNLESS OTHERWISE SPECIFIED:		DATE	NAME
		DIMENSIONS ARE IN INCHES	DRAWN		
		TOLERANCES:	CHECKED		
		FRACTIONAL ±	ENG APPR.		
		ANGULAR: MACH ± BEND ±	MFG APPR.		
		TWO PLACE DECIMAL ±			
		THREE PLACE DECIMAL ±			
		INTERPRET GEOMETRIC	Q.A.		
		TOLERANCING PER:	COMMENTS:		
		MATERIAL --			
		FINISH --			
NEXT ASSY	USED ON	DO NOT SCALE DRAWING			

**SW Design**  
5022 Franklin Rd. Moravia, NY 13118  
 315.496.3515 www.stevewatrous.com

TITLE:  
**FLOOR BOARD  
 UPPER FRONT**

SIZE	DWG. NO.	REV
<b>C</b>	<b>A35130</b>	<b>A</b>

SCALE: 1:2 WEIGHT: SHEET 1 OF 1